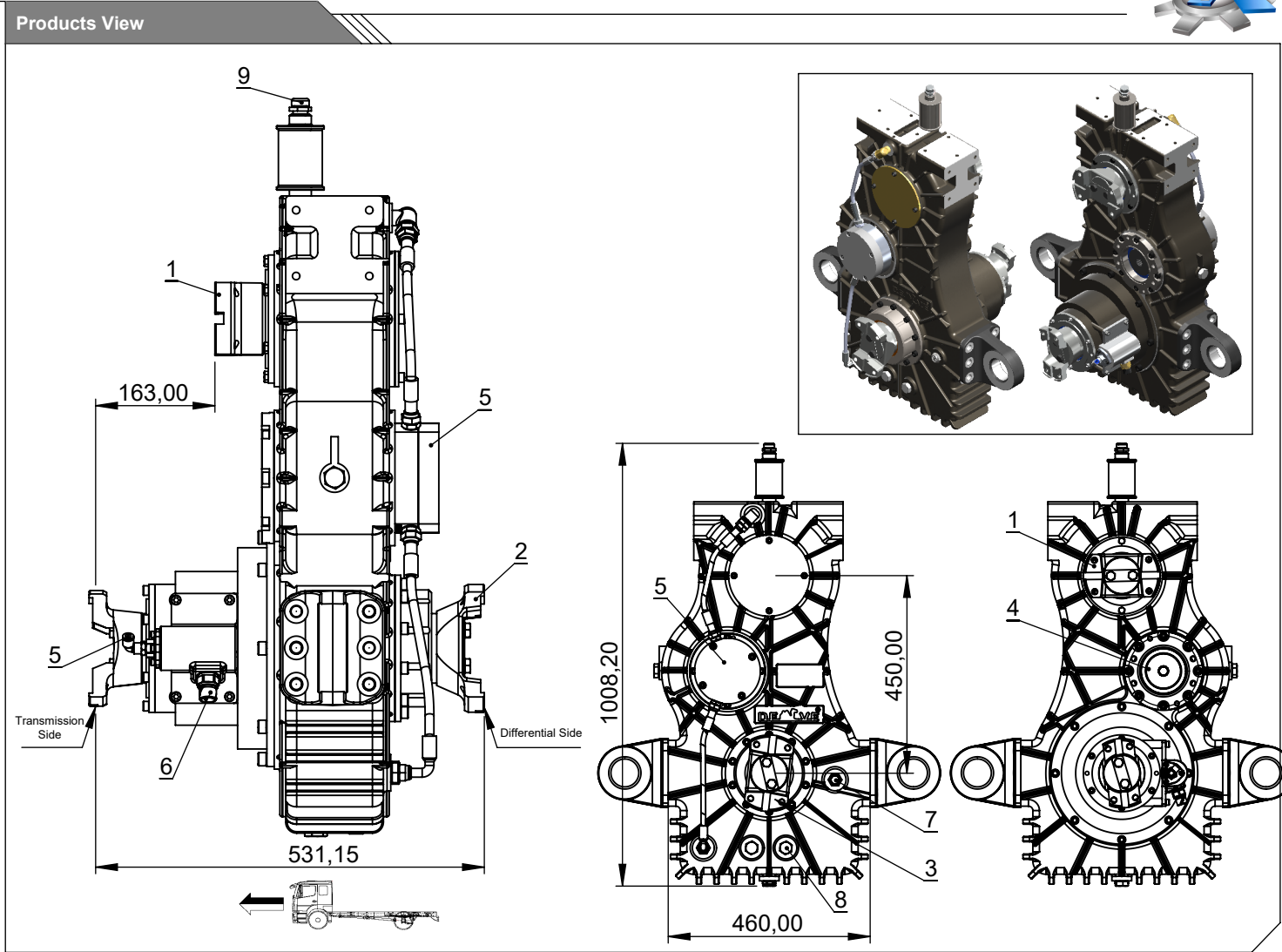


Vehicle Type	Extra Heavy Duty 4x4 Vehicles
--------------	-------------------------------

Product Code	KTC.3000
--------------	-----------------



Options	
<ul style="list-style-type: none"> 1 : Ana Giriş - ISO 7647 - ISO 7646 - ISO 8667 - 8.5c Yoke Std. Flange 2 : Ana Çıkış - ISO 7647 - ISO 7646 - ISO 8667 - 8.5c Yoke Std. Flange 3 : Ana Çıkış - ISO 7647 - ISO 7646 - ISO 8667 - 8.5c Yoke Std. Flange 4 : Pump Housing (SAE B 13T) 5 : Oiling Pump 6 : 4x4 Drive Sensor 7 : Oil Indicator 	<ul style="list-style-type: none"> 8 : Temp. Sensor R1/2"-14 9 : Air Vent Plug

Technical Data						
Outputs	Max. Torque	Max. RPM	Ratio	Mounting Type	Control Type	
1	19.000 Nm	3.100 Rpm	-	Split Shaft	Pneumatic	
2	21.000 Nm	2.800 Rpm	1,1			Weight
+						250
3						

Ürün Kodu / Product Code

KTC.3000

Revizyon No-Tarih / Revision No- Date

00 / 01.11.2021

